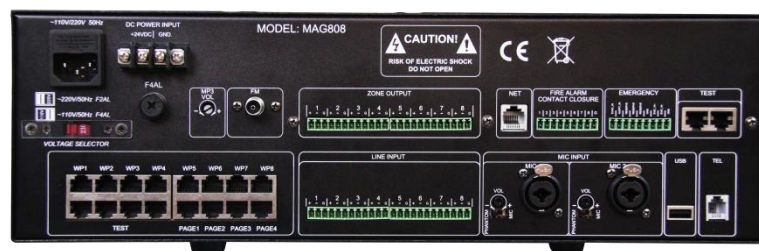


# MAG808

## 8x8 Digital Audio Matrix



### Description

The MAG808 digital audio matrix & paging controller is highly integrated, which is catering for multi-zone paging and multi-sources selection.

It supports 8 balanced audio inputs and 8 balanced audio outputs, remote paging, remote panel control, remote computer & Android pad control. It supplies with multiple audio inputs. Besides 8 AUX inputs, it also supports MP3 playing (built-in or external USB) and built-in FM. To better adapt to the emergency system, it supports TEL paging to all zones, one-touch alarm, 8 dry contact inputs and 1 dry contact out put.

It's a complete solution for multi-zone, multi-functional venues like entertainment place, large-scale hotel, sports centers, shopping mall, airport etc.

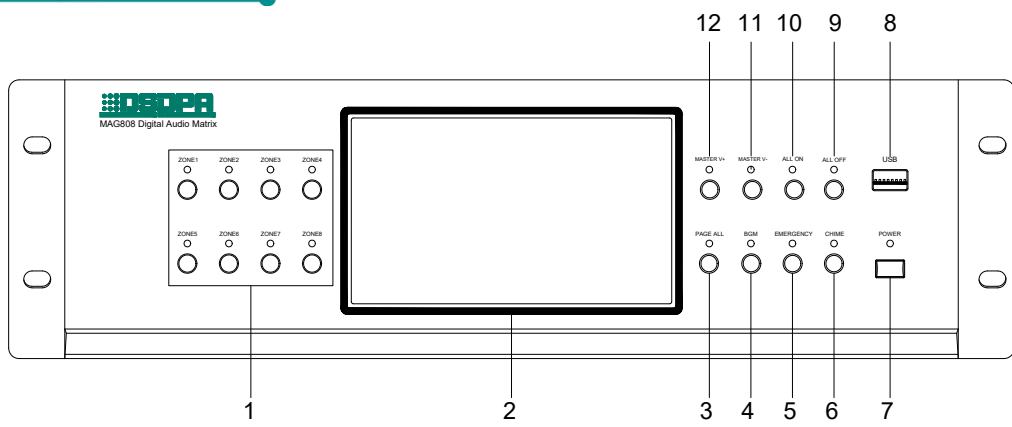
### Features

- 7"with touch capacitive color screen, embedded operating system;
- Built-in high performance DSP, 10M/100M/1000M Ethernet interface;
- Integrated Digital Audio Matrix, display, intelligent timing control, zones control and other functions in PA system;
- 8-channel zones output independent control and each channel with individual icon equalizer and

- individual volume control;
- Each channel can be linked independently with control panel and remote volume control of sound source with voice, wiring and MP3 player;
- 8-channel normal sound source balanced input and each channel with individual icon equalizer and individual volume control;
- 2-channel local microphone input(with phantom power options) and each channel with individual icon equalizer and individual volume control;
- 1-channel MP3 display(built-in program or extrapolated U disk) with individual icon equalizer and individual volume control;
- 1-channel FM with individual icon equalizer and individual volume control;
- 1-channel fixed telephone input(with authority management), only one line can be operated in the whole area and with individual volume control;
- 1-channel chime with individual volume control;
- 1-channel voice alarm(a key alarm), can be replaced alarm contents as needed;
- 4-channel remote paging microphone, parallel paging with priority control and individual icon equalizer and individual volume control;
- 1-channel fire emergency analog signal input;
- 8-channel independent zones fire emergency trigger input(short circuit signal), 1-channel whole area fire emergency trigger input(short circuit signal), 1-channel fire linkage output (short circuit signal);
- Support PC/Android LAN remote control;
- Zones and sound source physical shortcuts, easy to use;
- Built-in zones monitoring;
- Built-in 8G storage and maximum support 32G;
- Support AC220(or 110V) & 24V DC power supply.

## Specifications

Model	MAG808
Power supply	AC110V or AC220V/50Hz DC24V
Input sensitivity of MIC1 & MIC 2	10mV
Input sensitivity of lines 1-8	250mV
Output voltage of lines 1-8	1V
Input sensitivity of EMC	250mV
MIC I/O frequency response ( $\pm 3\text{dB}$ )	80Hz~10kHz ( $\pm 3\text{dB}$ )
Line I/O frequency response ( $\pm 3\text{dB}$ )	20Hz~20kHz ( $\pm 3\text{dB}$ )
Radio frequency band	86-108 MHz
Max. output noise	<3mV
Output distortion (@1kHz)	<1% 1KHz
Machine size	484mm×375mm×132mm (1PC)
Packing size	540mm×510mm×195mm (1PC)
Net weight	10Kg
Gross weight	13Kg (1PC)



**1. 1-8 zones button and indicator**

**2. Display/Touch Screen**

The display shows dynamically all information of the system and it is also the touch screen for operation.

**3. Page all button and indicator**

**4. Background source button and indicator**

**5. Full emergency button and indicator**

It can send the warning signals to all zones simultaneously by pressing the full-warning button of the system, and meanwhile, the indicator light is ON.

**6. Chime and indicator**

**7. Power**

**8. USB**

Use to connect the U disk with MPS programs, mobile hard disk and other memory devices. It can directly play the songs of the U disk and copy the programs for built-in MP3 player.

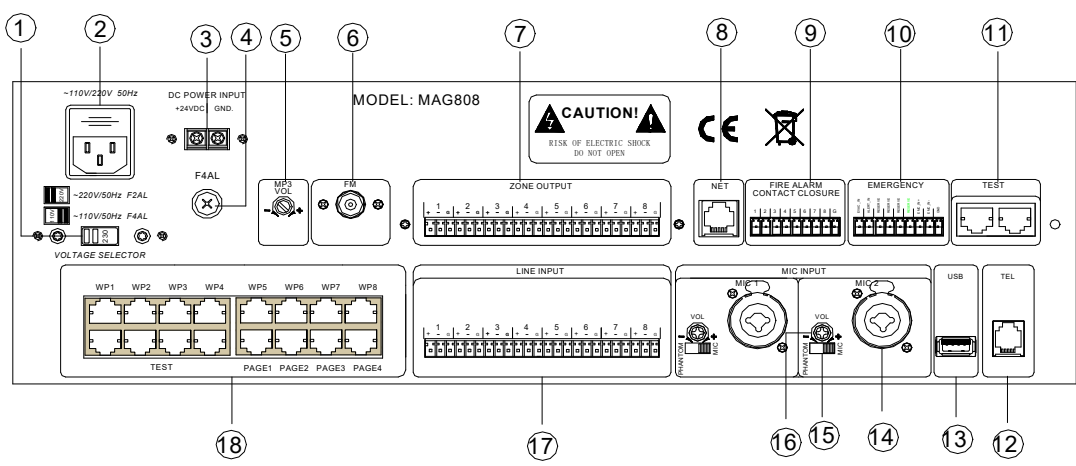
**9. All-page close and indicator**

**10. All-page open and indicator**

**11. Volume control -**

**12.** It controls the volume of zones. Press this button to turn down the volume

It controls the volume of zones. Press this button to turn up the volume



**① AC 110V/220V Selector Switch**

Use to select the operating voltage.

**② AC Power Input Socket**

Plug the AC power cord into this socket.

**③ DC 24V connection terminal**

Externally connect with DC 24V power supply.

**④ DC 24V Fuse**

Use for the fixed DC power supply. If it is fused, please replace it with the fuse of the same specification. A continuous fusing indicates that there are some faults.

**⑤ MP3 volume control knob**

**⑥ FM Antenna Interface**

⑦ **zones Output**

Connect with the power amplifier.

⑧ **Network Interface**

It is used to connect the LAN, through which the remote control of the system is performed.

⑨ **Alarm Signal Input**

Input the signals from the fire control center.

⑩ **Alarm Signal Input**

⑪ **Testing Interface**

It is used for testing.

⑫ **Telephone Interface**

It is used to connect the telecom signals to this machine.

⑬ **USB**

It is used to update the applications.

⑭ **MIC2 Input Interface**

⑮ **+48V Phantom Power Control Switch (MIC1-MIC2)**

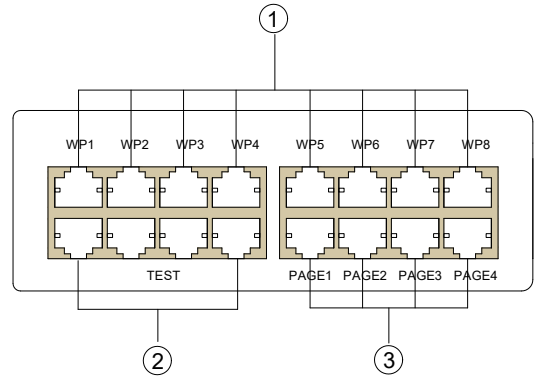
MIC1 and MIC2 are individually controlled.

Turn left the switch to open this power source when the +48V phantom power supply microphone is used.

⑯ **Volume Control Knob**

⑰ **Line Input Interface**

⑱ **As shown below:**



① Control panel interface

Connect 8 sets MAG808C/MAG808S

control panels.

② Extension interface

③ Connect 4 MAG808R paging

microphones

# System Diagram

