

Mini40

Bluetooth Power Amplifier

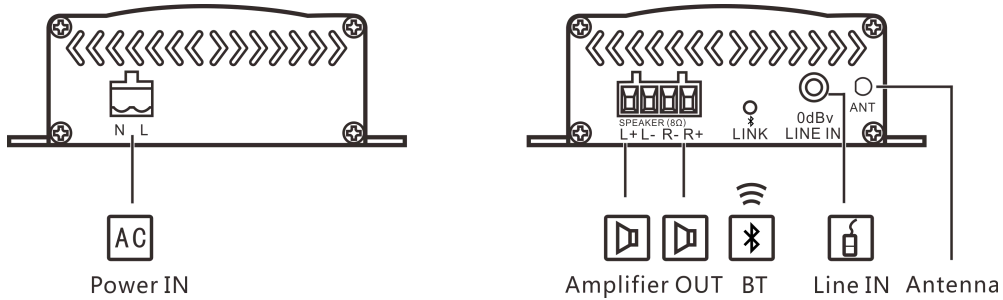


Features

- Frame with rounded corners, elegant and moderate. With precision frosting process and surface oxidation process, and no rust.
- Leading digital power amplification technology, differential input and output design, and two-stage filter processing circuit can ensure excellent SNR, achieving full-range high-fidelity stereo reproduction, and powerful low-frequency and clear high-frequency.
- Safe and reliable, with over-temperature, over-current, and short-circuit protection, as well as soft-starting technology to effectively protect the speaker.
- Easy to use, with two connection methods: Line and Bluetooth.
- Wide voltage design, applicable worldwide.

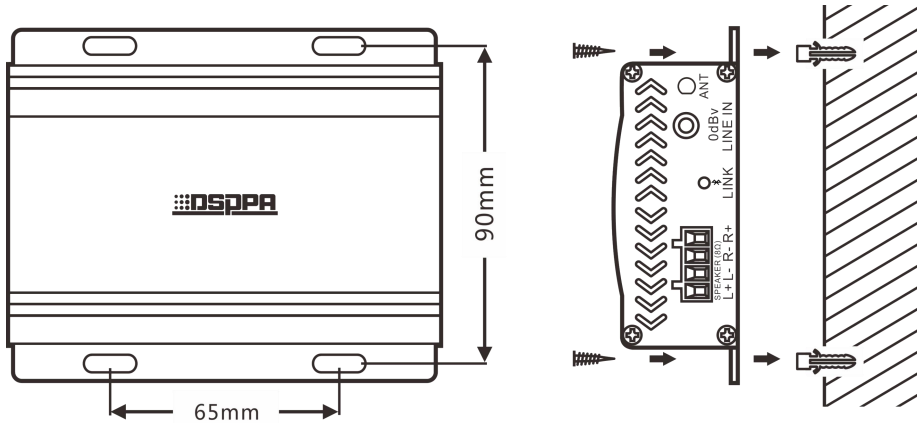
Installation

Connection Diagram



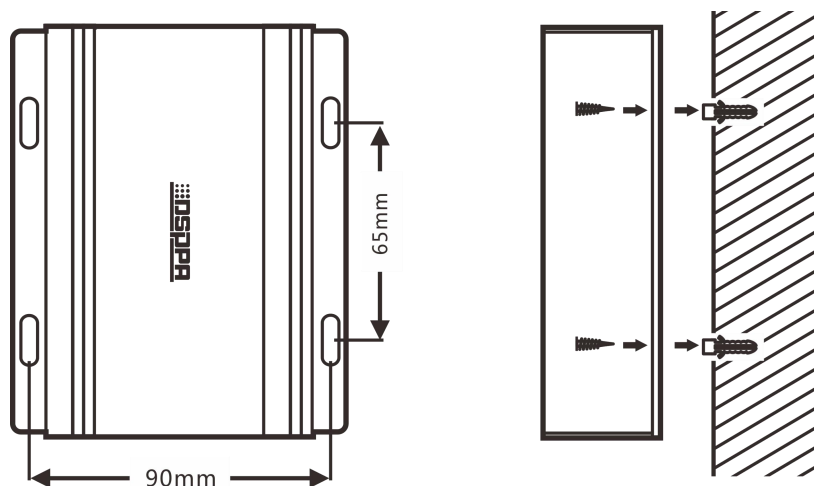
Method 1: Horizontal Installation

4 screws are installed in the needed place. (As shown below)



Method 2: Vertical Installation

I. 4 screws are installed in the needed place. (As shown below)



II. Connect lines of power input and amplifier output.

III. Connect the input lines as needed or connect the Bluetooth via an electronic device.

IV. Finally, check the installation is secure.

Specifications

Item	Mini40
Rated Power	2×20W/8Ω
Freq. Resp.	20Hz-20KHz
Distortion	<0.3%
SNR	> 82dB
Matched Impedance	8Ω
LINE IN Sensitivity	0dB(1V)
LINE IN Impedance	> 10KΩ
BT Transmission	10m
BT Standard	BT2.1+EDR
Power Supply	220V/50Hz/60Hz
Net Weight	0.33KG
Gross Weight	0.35KG
Product Dimension	125mm ×100mm×35mm
Package Dimension	135mm ×110mm×45mm