

# DSP8050SUB

## Pendant Subwoofer



### Description

This product is a 4Ω pendent subwoofer with an 8" graphite cone, rubber surround. It is made of PP material and has pluggable terminal blocks. Besides, it is characterized by power taps, available in 50W/25W/12.5W/6.25W.

### Features

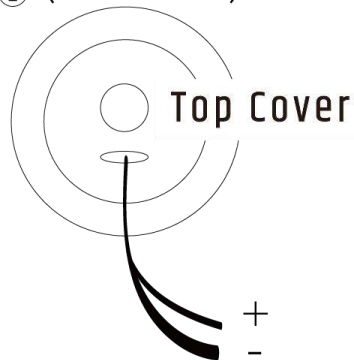
- A 4Ω constant-resistance pendent subwoofer.
- With an 8" graphite cone, rubber surround.
- Made of PP material.
- With power taps for 50W/25W/12.5W/6.25W.

### Specifications

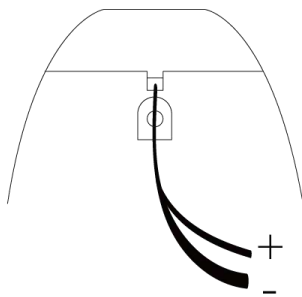
Model	DSP8050SUB
Woofer	8" (203mm) graphite cone, rubber surround
Frequency Range +/-3	75Hz-700Hz
RMS	100W
Sensitivity	86dB
Taps	4Ω/50W/25W/12.5W/6.25W
Impedance	4 ohms
Termination	Pluggable terminal blocks
Included Accessories	Brackets / Safety Rope / Grille
Dimensions (H*D)	373mm×253mm
Material	PP

## Speaker Connection

① (Back view)



② (Side view)

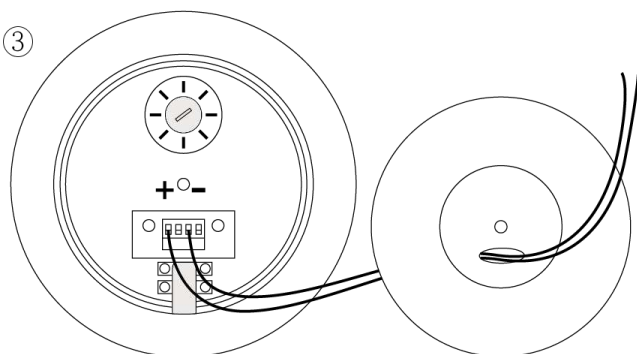


Top Cover

Speaker

### Connections (For Speakers with Transformer)

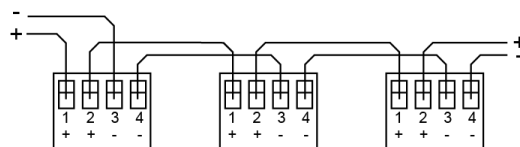
③



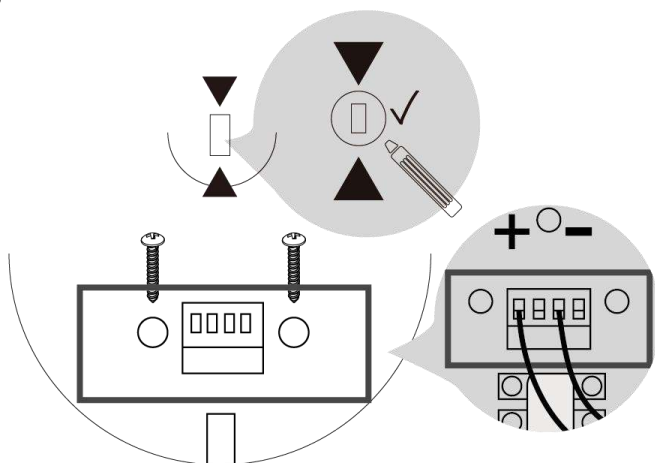
Connect the wires from the amplifier (or the previous speaker) to the supplied terminal block of the speaker, and ensure red wire to "+" and black wire to "-". Attach the top cover to the speaker.

Ensure that the speaker is unplugged from the mains before making any connections.

For Speakers  
(from power amplifier to next speaker)

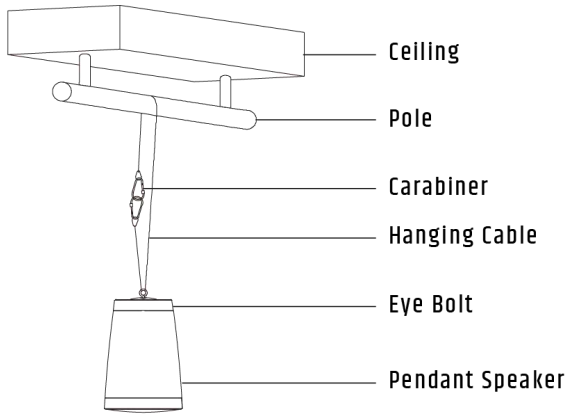


④



Buckle Part

⑤



Make sure the speaker is properly secured to the ceiling / building' s structure. please use the proper screws, bolts, or anchors (not included). Failure to do so may cause the speaker to become unsecured &cause potential damages/injuries.