

## DSP1601M

### Intelligent Wireless Microphone



#### Description

This product is a new type of portable wireless microphone, featuring a glossy metal design that provides a comfortable handheld grip. Equipped with a display screen, it offers clear visibility of the working status. The compact and convenient receiver supports plug-and-play functionality, with a 6.35mm output interface suitable for various scenarios such as outdoor singing, karaoke, and indoor live streaming. The meticulously tuned microphone boasts excellent sensitivity and frequency response range, enabling effortless production of beautiful melodies. With simple operation, multiple sets can be used simultaneously without frequency interference or crosstalk.

#### Features

- Operating in the UHF 550-950 MHz frequency band with strong anti-interference capability.
- Handheld with LED digital tube display function, allowing intuitive viewing of the currently displayed frequency.
- The effective wireless transmission distance is 50 meters.
- Concise operation interface, minimal adjustable components, completely avoiding malfunctions caused by misoperation.

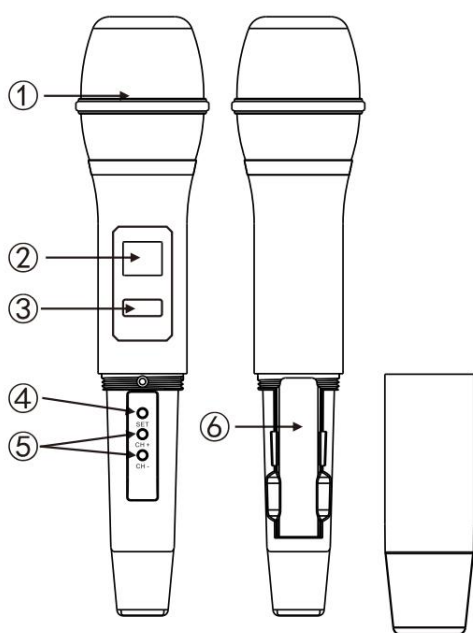
- The transmitter is equipped with a low-voltage detection function, where the battery icon flashes when the voltage drops to 2.2V.

## Specifications

Model	DSP1601M
Receiver	
Modulation Type	DQPSK
Dynamic Range	>90dB
SNR	>80dB
Total Harmonic Distortion	<0.3%
Carrier Frequency	550-960MHz(Optional)
Electric Current	250mA±10mA
Voltage	3.7V Lithium Battery
Frequency Response	40Hz-20KHz±3dB
Audio Output	400mV±20mV
Ideal Distance	50m
Transmitter	
Pick up Type	Dynamic Microphone
Directionality	Cardioid pattern
Harmonic suppression	54dBc
Total Harmonic Distortion	<0.3%
Carrier Frequency	550-960MHz(Optional)
Electric Current	130mA±10mA
Voltage	2x1.5V AA Battery

## Product Information

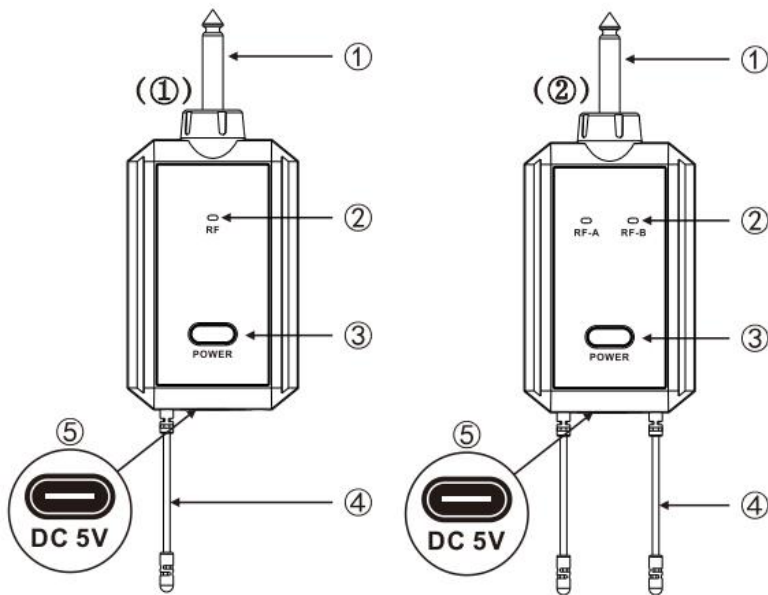
### Handheld Microphone (Transmitter)



- (1) Capsule
- (2) LED Screen: Displays microphone battery level, signal, frequency, etc.

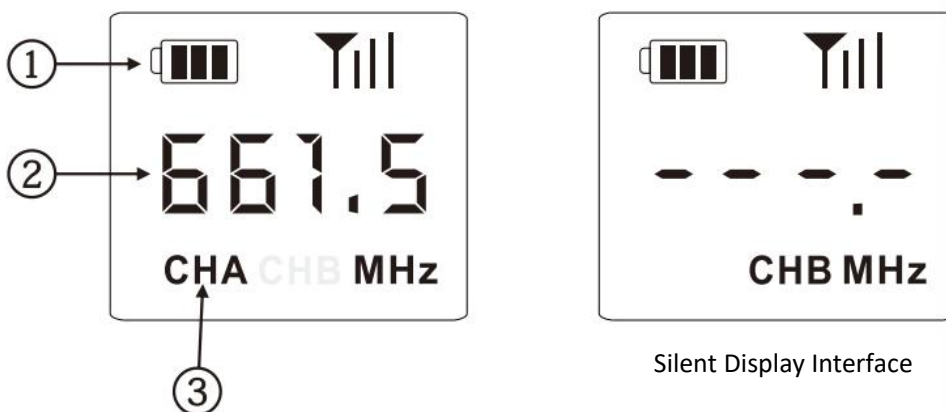
- (3) Power Switch: Short press to turn on, long press to turn off (short press when powered on to mute, long press for 10 seconds when powered off to switch channels)
- (4) Pairing Button
- (5) Up/Down Frequency Switching Button: Allows selection of the appropriate carrier frequency.
- (6) Battery Tank: Install two 1.5V AA batteries, ensuring correct polarity alignment.

## Receiver



- (1) 6.35mm Audio Output Plug
- (2) RF A/B LED Light
  - When connecting the handheld microphone signal, this indicator light displays green.
  - When the power is turned on, the indicator light displays red.
  - The light flashes red when charging, and turns off when charging is complete.
- (3) Power Button
  - Short press to turn on, long press for 3 seconds to turn off.
- (4) Signal Receiving Antenna
  - Used to receive signals emitted by handheld microphones.
- (5) Charging Socket
  - DC 5V Micro USB Charging socket

## LED Screen



- (1) Battery: Shows the battery level of the handheld microphone.
- (2) Frequency: Shows the current transmission frequency of the microphone.
- (3) Channel: Shows the current pickup channel of the microphone.