

DSP3110

20W 2.5" Ceiling Speaker with Rear Cover



Description

This is a ceiling speaker with a rated power of 20W. It is small and exquisite and easy to install. The 8 ohm impedance and the fully enclosed sound cavity bring clear and pure sound quality. The rear radiation basin design optimizes the conventional music playback effect. The sound characteristics are soft and beautiful, which is very suitable for playing vocals and soft bass music, creating a warm and comfortable listening environment for your space.

Features

- Rated Power: 20W for consistent audio performance, ensuring a stable audio output.
- Sensitivity: 90dB ± 3dB at 1m/1W for efficient response.
- Max. SPL.: 103dB at 1m for loud output.
- Freq. Resp.: 300Hz-12kHz, covering the audible spectrum.
- The ceiling speaker shell is made of ceramic and metal. The stylish matte paint finish makes it look modern and simple.
- Use the speakers as left and right surround sound, placed behind the listener, 1.8-3 meters apart, to achieve and optimize the stereo effect.

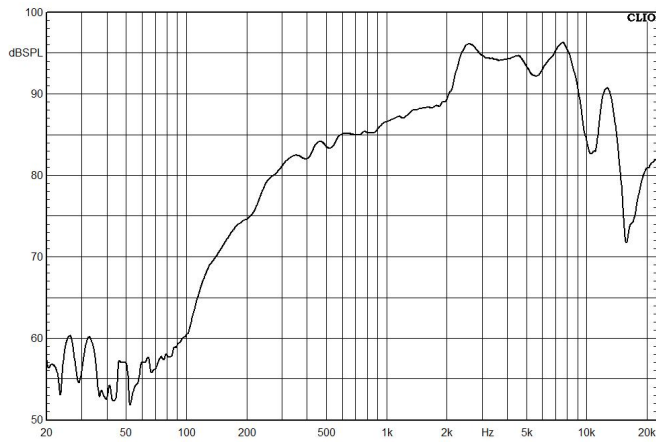
Specifications

Model	DSP3110
Rated Power	20W
Unit Driver	2.5"×1
Impedance	8Ω
Frequency Response	300Hz-12kHz
Sensitivity (1m, 1W)	90dB+3dB
Max. SPL. (1m)	103dB
Dimension(diameter×height)	Φ90mm×70mm
Cutout Dimension	Φ75mm

Product Information

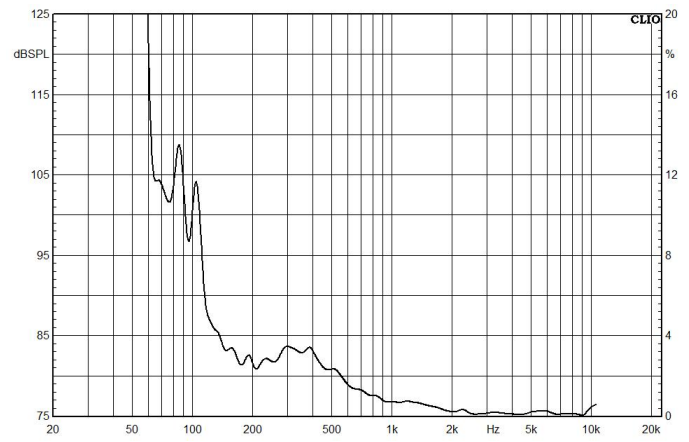
Frequency Response

(dB SPL, 1W, 1m)



Distortion

(THD < 1.5% 1W, 1m, 100Hz-10kHz)



Installation

Cut speaker holes

1. The recommended hole size for the speaker is 75mm (hole error range: +2/0mm). Draw a circular outline at the location where the speaker is installed. (Figure ①)
(Do not cut into the ceiling surface when drawing the line to avoid damaging the wires or pipes behind it and causing safety hazards.)
2. Drill a hole in the mounting wireframe large enough to insert the cutting tool. Cut along the outline and remove the cut section. Clean off any torn or rough parts around the opening. (Figure ②)

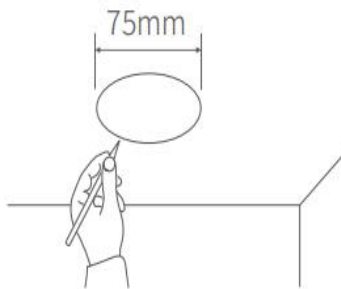


Figure ①

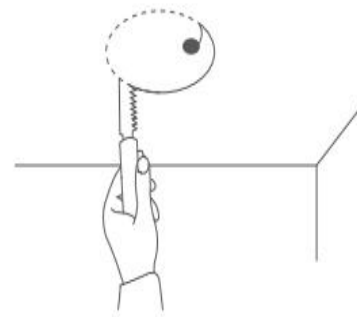


Figure ②

Connect speaker cables

1. Route the speaker wires through the opening, extending enough from where you are standing to reach the speaker. (Figure ③)
2. Connect the red speaker binding post to the positive (+) output of the playback device.
Connect the black speaker binding post to the negative (-) output of the playback device. (Figure ④)

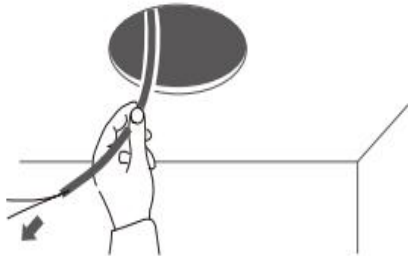


Figure ③

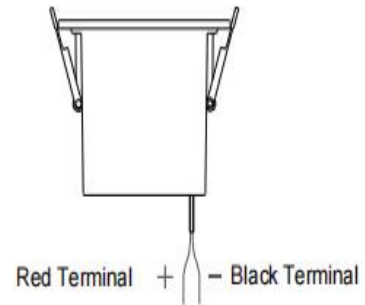


Figure ④

Install speakers

1. Hold the outer edge and insert the speaker into the hole. (Figure ⑤)
(Do not press on the tweeter on the front of the speaker, as this will damage the speaker.)
2. Tighten all fixing screws using a Phillips screwdriver. (Figure ⑥)

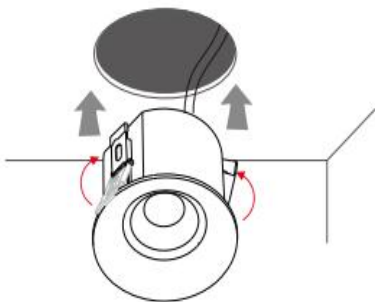


Figure ⑤

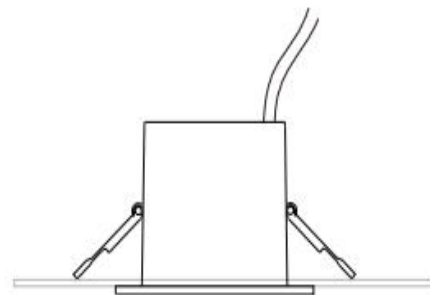


Figure ⑥