

DSP6020

20W Outdoor Waterproof Wall-Mounted Speaker



Description

The DSP6020 20W outdoor waterproof speaker delivers exceptional clarity and powerful bass with its 4"×1 woofer and 0.75"×1 tweeter, covering a frequency response from 90Hz-20kHz. With 85dB sensitivity and a maximum SPL of 98dB, it ensures efficient and dynamic sound projection. Housed in an IP66-rated, all-weather enclosure, it is perfect for reliable performance in any outdoor or indoor environment.

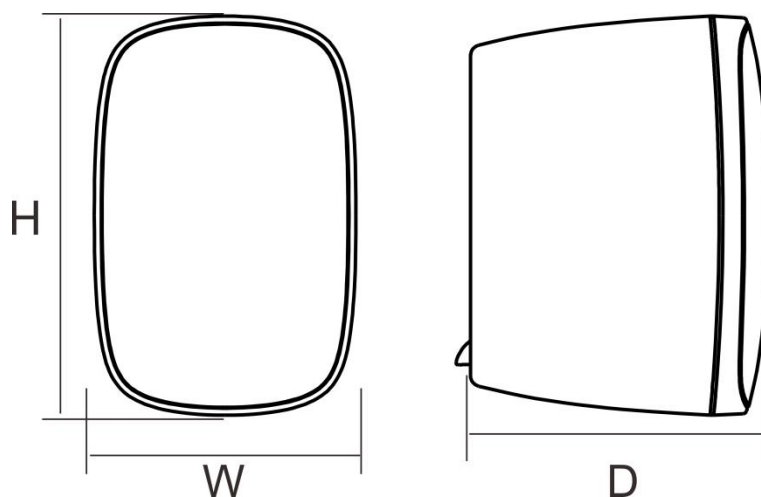
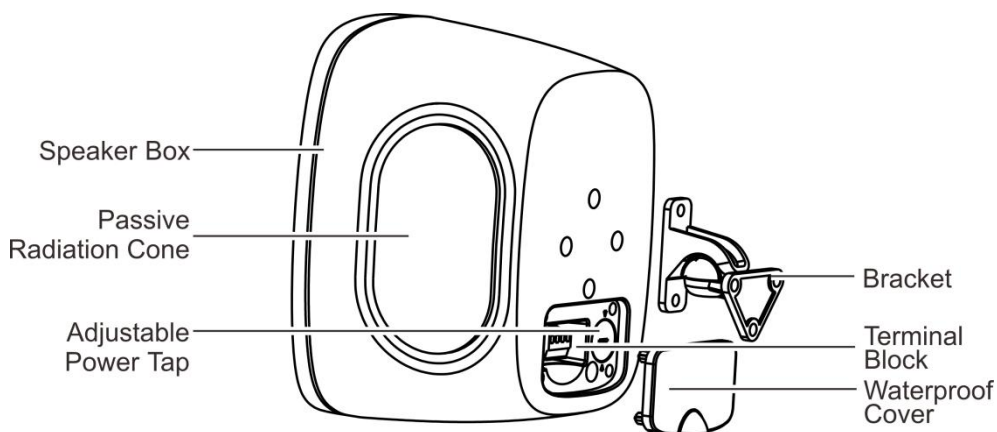
Features

- Specialized in sound quality, featuring a passive radiator and equipped with both tweeter and woofer units to deliver clear, transparent, and bright sound with rich, powerful bass.
- Streamlined design, smooth and elegant curves, stylish and classy outlook.
- Available in black and white, suitable for the decorative styles of different venues.
- Mesh: Made of 1060 pure aluminum, which is hardened and anti-oxidation treated, not easy to deform and never rust.
- Speaker box: Made of polymer engineering plastics, durable, safe and reliable.
- Speaker unit: The tweeter diaphragm is made of transparent silk membrane; the woofer diaphragm is made of polypropylene with large magnetic circuit.
- Mounting bracket: Cast aluminum molding, no oxidation and rust, safe and durable, multi-angle adjustment, easy to install and use.
- Waterproof level: IP66 waterproof level, all-weather design, to ensure the reliable use in indoor and outdoor environments.

Specifications

Model	DSP6020
Speaker Unit	4"×1, 0.75"×1
Operating Voltage	100V
Rated Power	20W
Power Adjustment	8Ω-20W-10W-5W-2.5W-1.3W
Frequency Response	90Hz-20kHz
Sensitivity (1m, 1W)	85dB±2dB
MAX. SPL. (1m)	98dB±2dB
Operating Temperature	-20℃~+50℃
Dimensions (H×W×D)	213×140×159mm
Net Weight (1PC)	2.4kg
Gross Weight (2PCS/CTN)	6.5kg

Product Information

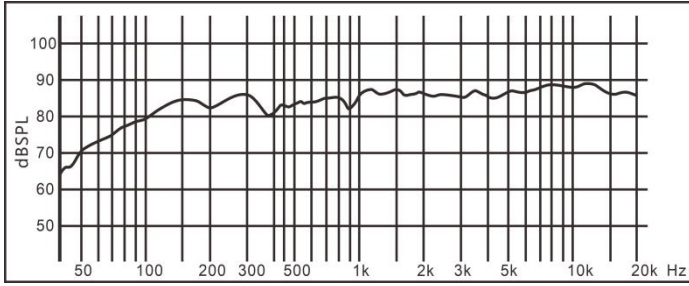


H	W	D
213	140	159

Unit: mm

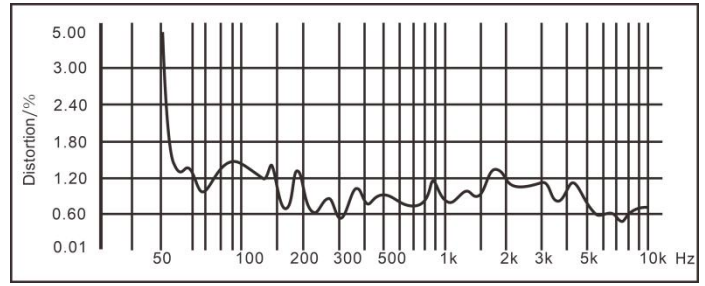
Frequency Response

(dB SPL, 1W, 1m)

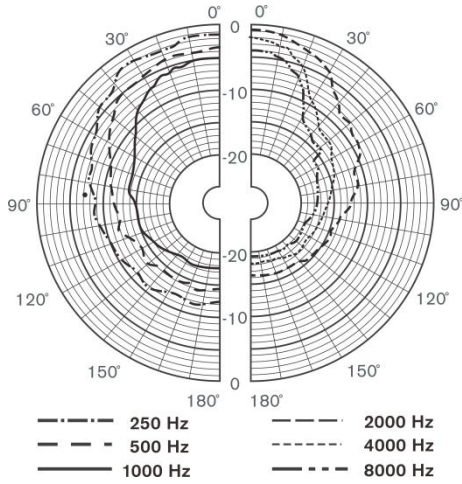


Distortion

(THD<3% 1W, 1m, 100Hz-10kHz)



Vertical Directivity Pattern



Horizontal Directivity Pattern

