

DSP6060

60W Outdoor Waterproof Wall-Mounted Speaker



Description

The DSP6060 60W wall-mounted waterproof speaker blends refined design with powerful acoustics. Featuring 8"×1 woofer and 1"×1 tweeter, it delivers bright, transparent highs and deep, resonant bass across 55Hz-20kHz. With 88dB sensitivity and 106dB max SPL, it ensures clear and dynamic coverage, while its IP66 all-weather construction guarantees reliable performance in outdoor plazas, leisure spaces, and modern architectural venues.

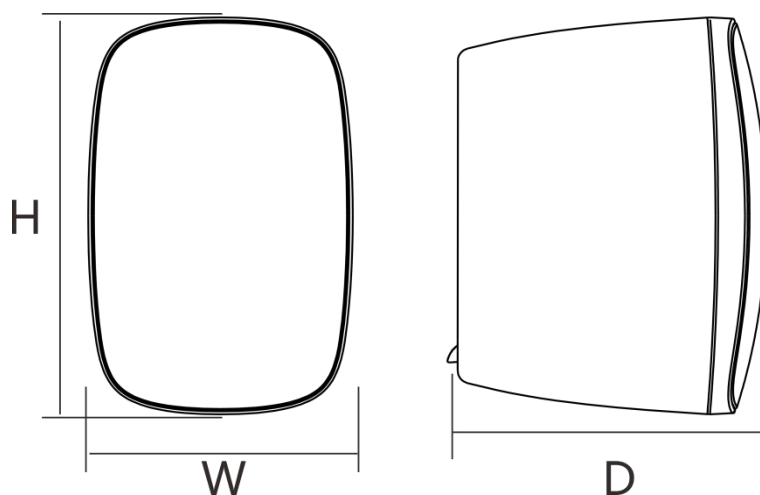
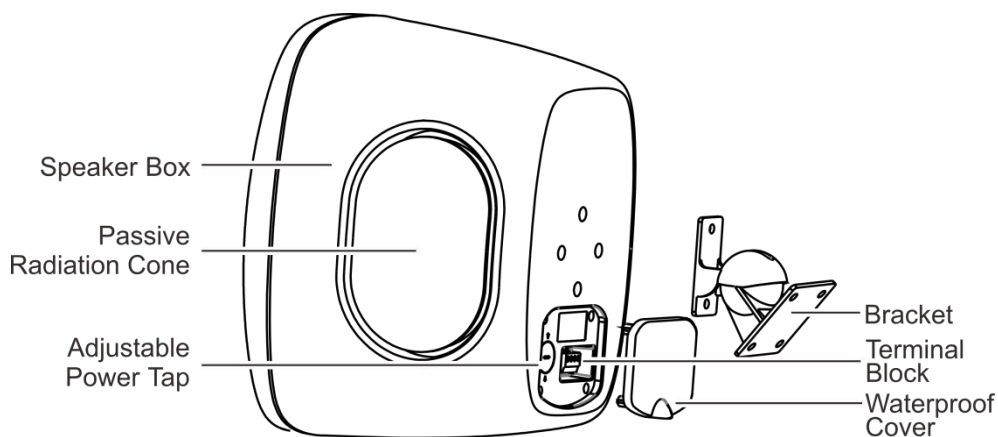
Features

- Specialized in sound quality, featuring a passive radiator and equipped with both tweeter and woofer units to deliver clear, transparent, and bright sound with rich, powerful bass.
- Streamlined design, smooth and elegant curves, stylish and classy outlook.
- Available in black and white, suitable for the decorative styles of different venues.
- Mesh: Made of 1060 pure aluminum, which is hardened and anti-oxidation treated, not easy to deform and never rust.
- Speaker box: Made of polymer engineering plastics, durable, safe and reliable.
- Speaker unit: The tweeter diaphragm is made of natural silk membrane; the woofer diaphragm is made of polypropylene with large magnetic circuit.
- Mounting bracket: Cast aluminum molding, no oxidation and rust, safe and durable, multi-angle adjustment, easy to install and use.
- Waterproof level: IP66 waterproof level, all-weather design, to ensure the reliable use in indoor and outdoor environments.

Specifications

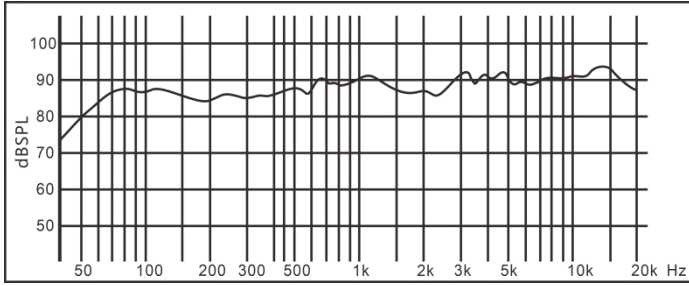
Model	DSP6060
Speaker Unit	8"×1, 1"×1
Operating Voltage	100V
Rated Power	60W
Power Adjustment	8Ω-60W-30W-15W-7.5W-3.8W
Frequency Response	55Hz-20kHz
Sensitivity (1m, 1W)	88dB±2dB
MAX. SPL. (1m)	106dB±2dB
Operating Temperature	-20°C~+50°C
Dimensions (H×W×D)	379×253×262mm
Net Weight (1PC)	6.5kg
Gross Weight (2PCS/CTN)	18.1kg

Product Information



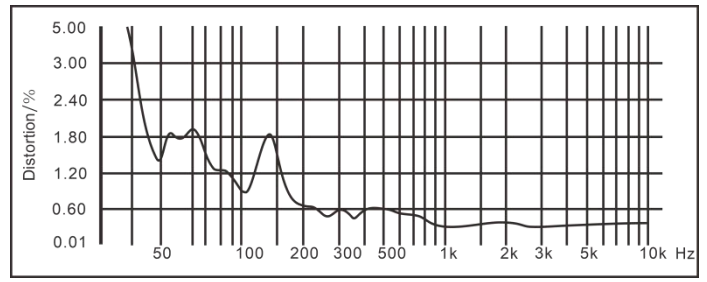
H	W	D
379	253	262

Frequency Response
(dB SPL, 1W, 1m)

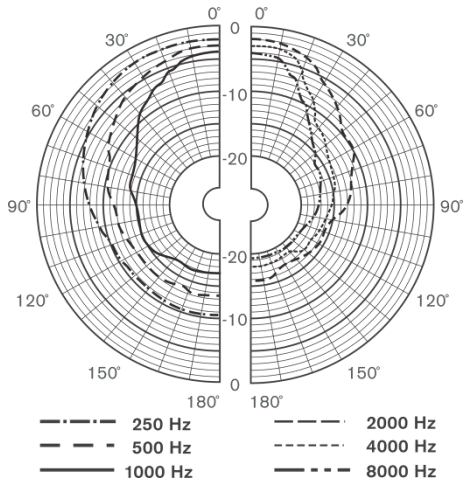


Distortion

(THD<3% 1W, 1m, 100Hz-10kHz)



Vertical Directivity Pattern



Horizontal Directivity Pattern

