

DSP8030

30W 8" Frameless Coaxial Ceiling Speaker



Description

The DSP8030, a robust 30W 8" frameless coaxial ceiling speaker, is engineered to elegantly merge with the aesthetics of any indoor environment, boasting an ultra-narrow design and RAL white finish, while providing powerful and clear audio distribution for an immersive listening experience.

Features

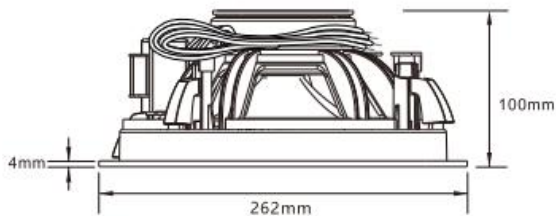
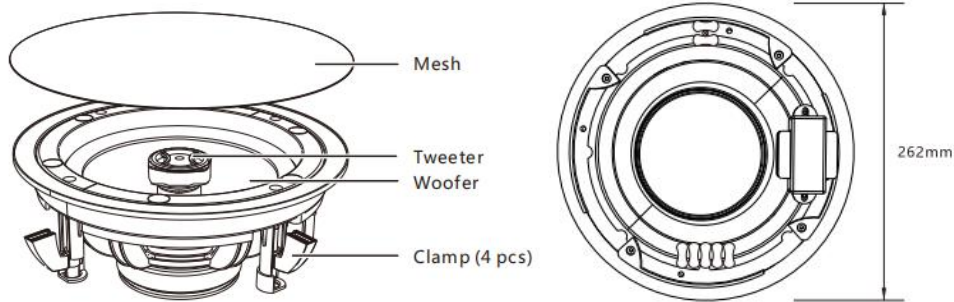
- Adopt the stylish ultra-narrow design, combined with the RAL white coating, to be perfectly integrated into any indoor occasion.
- With 8" woofer and magnetic circuit coated by a special process of engineering plastics, PP injection drum paper, waterproof surface, and optional rear cover for stronger low-frequency sound.
- With coaxial 1" tweeter for clear and bright treble, and the diffractive loading of the treble for wide and uniform coverage.
- Compliance with IEC 268-5 power handling capability (PHC) standard, it can work continuously for 100 hours at rated power. With Simulated Acoustic Feedback Exposure (SAFE) test, it can withstand twice the rated power in a short period of time, which ensures the high reliability of the speaker under extreme conditions, prolongs the service life and significantly reduces the chance of failure or performance degradation.
- With flexible movable clamp design, easy to install, durable and reliable.

Specifications

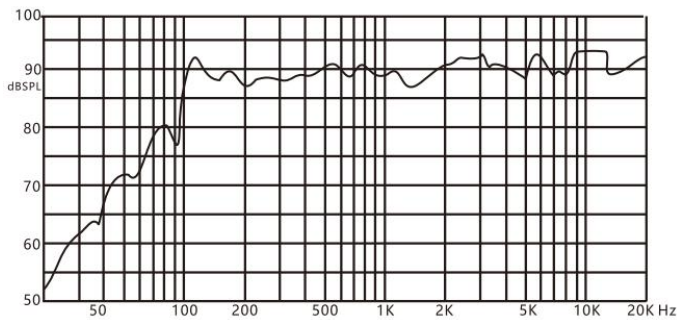
Model	DSP8030
Unit Driver	8"×1, 1"×1
Rated Power(RMS)	30W
Rated Impedance	8Ω

Rated Voltage	70V	2.5W/5W/10W/15W
	100V	5W/10W/20W/30W
Sensitivity(1m,1W)		88+2dB
MAX.SPL.(1m)		103+2dB
Frequency Response		55Hz-20kHz
Dimensions		Φ262×100mm
Weight		1.8kg

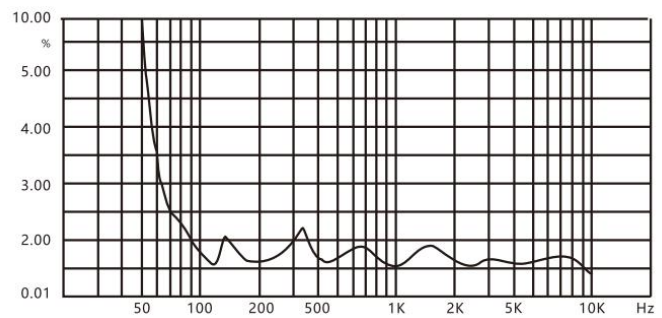
Product Information



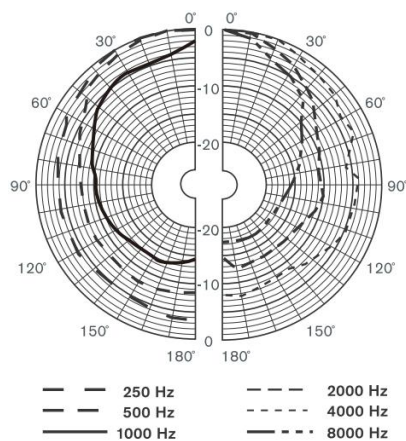
Frequency Response (dB SPL, 1W, 1m)



Distortion(THD<5% 1W、1m、100Hz-10kHz)



Vertical Directivity Pattern



Horizontal Directivity Pattern

